

AVL-L6088

INDOOR

Linear Luminaire

Dry/Damp location



5 YEARS LIMITED WARRANTY INCLUDED IP44 IESNA LM-79 IESNA LM-80 DIMMABLE

Spec-grade recessed mount architectural LED linear lighting system engineered for streamlined integration and maximum versatility. Features a 2.3-inch width profile available in 2ft, 3ft, 4ft, and 8ft lengths, with options for continuous runs or custom geometric patterns. Incorporates selectable wattage and adjustable Correlated CCT settings to achieve tailored visual comfort and performance. Designed for compatibility with most 15/16" and 9/16" T-grid ceilings as well as dry ceilings via flanged or trimless mounting options.

Ordering Information Clear Form

Date: _____ Quantity: _____

Project: _____ Note: _____

Type: _____

Order Form

Series - Model	Size	Wattage	Voltage	CCT	CRI	Lense
AVL-L6088						
	2FT 2 Feet	20 20-15-10 W *2ft	A 120-277V AC	CCT Adjustable CCT (3000K/3500K/ 4000K)	R90 R90	DF Diffuser
	3FT 3 Feet	30 30-23-15 W *3ft				LV Louver
	4FT 4 Feet	40 40-30-20W *4fr				MR Micro Reflector
	8FT 8 Feet	80 80-60-40W *8ft				RL Regressed Lens
						WW Wall Wash
Mounting	Sensor	Shape	Joiner			
RT1	DM 0-10V	C Continuous Run	SJ Straight Line Joiner			
RT2	DT 0-10V + Tueneable White	S Square	LJ Corner Joiner			
RT3		R Rectangular	WJ Ceiling to Wall Joiner			
RS		L L-Shaped	TJ T Joiner			
RH		T T-Shaped	+J Cross Joiner			
*Check Page 4 for more information		X Cross Shaped	YJ Y Joiner			
		Y Y-Shaped	VJ V Joiner			
		H Hexagon				
		W Ceiling to Wal				

System Components (Ordered Separately)

Remote Drivers: _____ *Consult Green Image Tech Website or Sales Representative

Warranty Notes & Disclaimer

Malfunction and damage to product due to incompatible dimming system or misuse will not be covered under warranty. Consult Green Image Tech for recommended drivers. If the fixture has an option to be installed with a dimming control system, consult a dimming system manufacturer with minimum load before installing. Green Image Tech reserves the right, at its sole discretion, at any time and without notice, to make design changes to any of our products. Consult Green Image Tech website for most updated documentation.

AVL-L6088

INDOOR

Linear Luminaire

Dry/Damp location



5 YEARS LIMITED WARRANTY INCLUDED  IP44 RAISED & TESTED IESNA LM-79 IESNA LM-80 

Performance

Wattage	Fixture Output	Efficacy
10-80 W	up to 8,400 lm	105 lm/W (Diffuser)

Application

Environment	IP44
Mounting	Recessed (Flanged trim, Trimless, T-grid)
Working Temperature	-20° ~ +40°C
Dimension	2.3" Width x 2ft, 3ft, 4ft, 8ft lengths

Electrical

Power Supply	120-277V AC
Control	0-10V
Driver Type	Built-in (Optional emergency drivers available)
Control Compatibility	OCC-DM and OCC-DT sensors, Lutron/Leviton 0-10V dimmers

Luminaire Construction

LED Light Source	30 = 3000K, CRI (Ra): 90+ 35 = 3500K, CRI (Ra): 90+ 40 = 4000K, CRI (Ra): 90+
Distribution Type	100% Downlight
Beam Angle	120°, 30° Tilt (Wall Wash only)
Optics Type	Diffuser, Louver, Regressed Lens, Micro Reflector, Wall Wash
Operating Mode	NC: No Control TC: Touch Control Switch MS: Motion Sensor
Finish	Bold White, Bold Black, Custom
Warranty & LED Life	5 years limited warranty. Estimated life of 50,000 hours
Beam Angle	N/A

AVL-L6088

INDOOR

Linear Luminaire

Dry/Damp location



5 YEARS
LIMITED WARRANTY
INCLUDED



IP44
RATED & TESTED

IESNA
LM-79

IESNA
LM-80

DIMMABLE

Specification

Construction

Streamlined linear design with a 2.3-inch width profile.

Available lengths include 2ft, 3ft, 4ft, and 8ft, supporting continuous runs and custom lit configurations (L, T, X, Y, Hexagon shapes).

Standard finish options are Bold White and Bold Black, with custom finishes available.

Compatible with multiple lens types: Diffuser, Micro Reflector, Louver, Regressed Lens, and Wall Wash Diffuser.

Light Source

High color rendering LED module featuring 90+ CRI.

Adjustable Correlated Color Temperature (CCT) switchable between 3000K, 3500K, and 4000K.

Optional tunable white functionality (3000K-4000K) when paired with OCC-DT sensor.

Mounting

Recessed installation designed for versatile architectural applications.

Supports T-grid ceilings (15/16" and 9/16") and dry ceilings.

Mounting hardware options include flanged trim bracket, trimless flanged kit (requires plastering), and T-grid hooks.

Warranty

5-year limited warranty

LED lifetime: 50,000 hrs

Electrical

Operates on 120-277V AC input voltage.

0-10V dimming protocol capable of dimming down to 10% (standard) or 1% (optional).

Power supply features field-selectable wattages (50%, 75%, 100%).

Compatible with optional integrated 8W LED emergency driver or field-installed external 16W/25W LED emergency drivers.

Power & Lumen Performance

AVL-L6088 (2ft) | 20W / 15W / 10W | Up to 2100 lm | Up to 105 lm/W

AVL-L6088 (3ft) | 30W / 23W / 15W | Up to 3150 lm | Up to 105 lm/W

AVL-L6088 (4ft) | 40W / 30W / 20W | Up to 4200 lm | Up to 105 lm/W

AVL-L6088 (8ft) | 80W / 60W / 40W | Up to 8400 lm | Up to 105 lm/W

Environmental & Safety

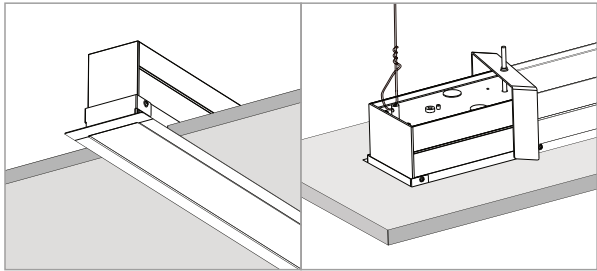
Ambient operating temperature range: -20°C to 40°C (-4°F to 104°F).

Damp location rated.

Mountings

Trim RT

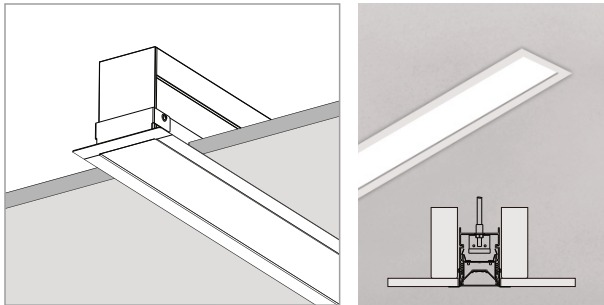
RT1: Mount by flanged trim and bracket in Dry ceiling.



Mounting Kits



RT2: Mount by flanged trim and pendant stem in Dry ceiling.



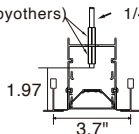
Mounting Kits



RT3: Mount by flanged trim to lay on T-grid ceiling/Drop ceiling.



1/4"-20 nut (Supplied by others) 1/4"-20 Threaded rod to structure

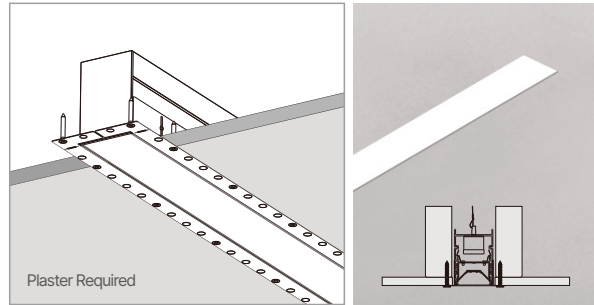


Mounting Kits



Trimless RS

Mount by trimless flanged kit and need plastering in Dry ceiling.

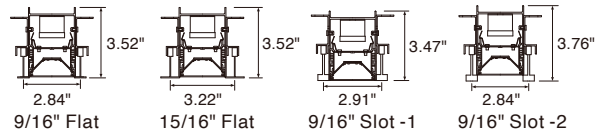
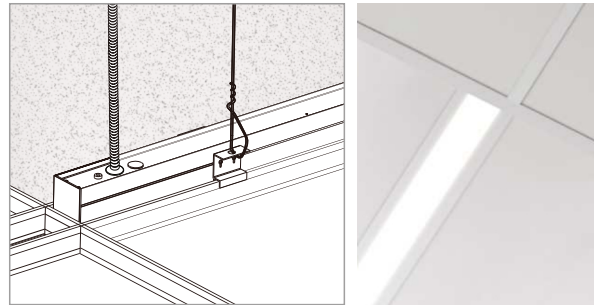


Mounting Kits



RH

Mount by T-grid hooks to secure in T-grid ceiling / Drop ceiling.

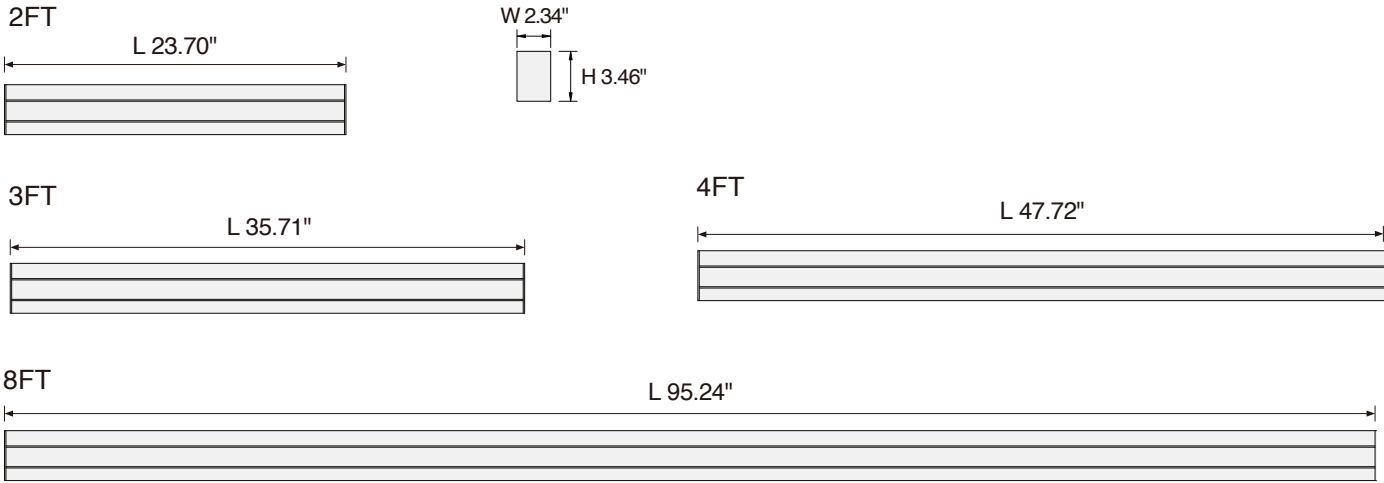


Mounting Kits

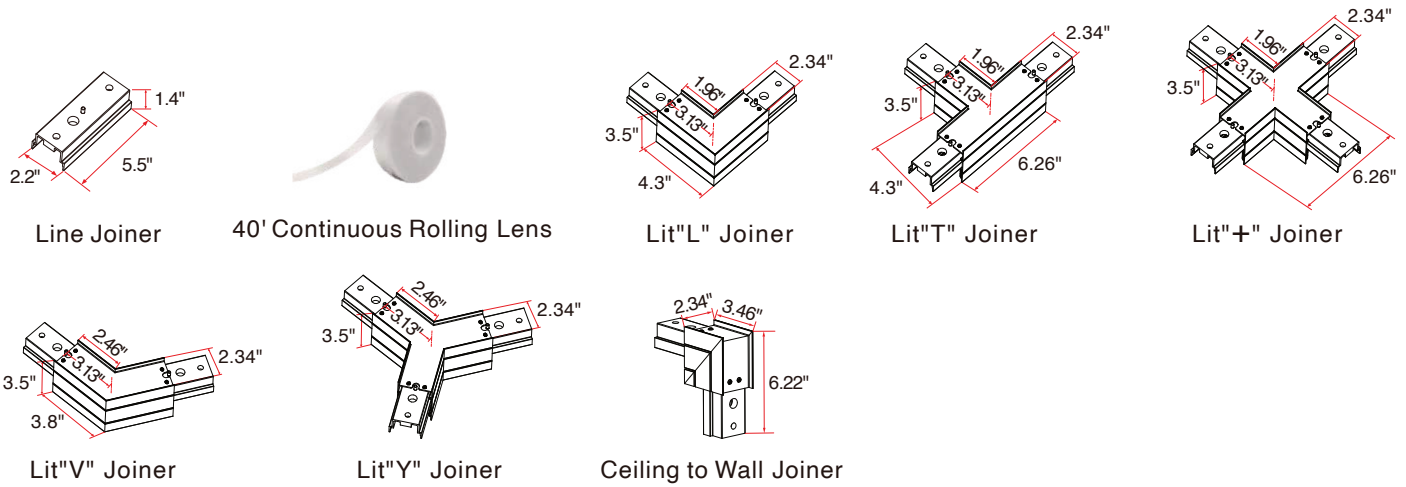


Attention: If do seamless continuous runs in the standard or existing T-Grid ceiling, there will be a gap between the End of fixture and the T-Grid, and the gap should be filled with gypsum ceiling board.

Dimensions

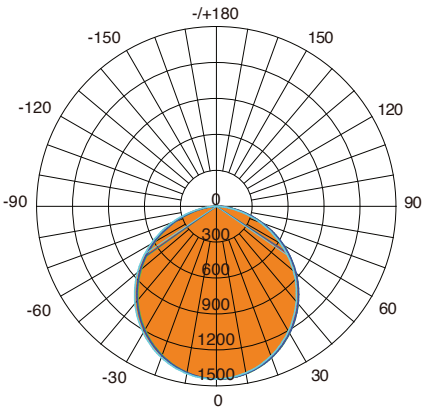


Joiner



Distribution Diagram

4' / Diffuser / 3500K



AVERAGE BEAM ANGLE(50%): 111.3°

Lumens: 4069.1 Lms
Watts: 39.05 W
LPW: 104.21 Lm/W
CCT: 3500K

UNIT: cd
 - C0/180, 110.8°
 - C30/210, 111.1°
 - C60/240, 111.6°
 - C90/270, 111.7°

Zonal Flux Diagram

§	C0	C45	C90	C135	C180
10	1418	1421	1412	1398	1411
20	1340	1346	1331	1303	1327
30	1215	1225	1204	1164	1195
40	1049	1064	1038	988.4	1026
50	852.4	870.0	840.6	783.6	826.6
60	629.7	649.8	617.5	555.5	603.1
70	391.9	412.3	377.6	316.3	365.5
80	162.5	178.2	145.8	98.44	139.5
90	2.417	8.146	0.2768	0.4688	0.9405
100	0.5822	0.5917	0.6472	0.7610	0.6802
110	1.012	1.048	1.172	1.246	1.138
120	1.530	1.577	1.753	1.778	1.633
130	2.021	2.104	2.307	2.298	2.124
140	2.524	2.612	2.799	2.780	2.595
150	3.936	3.052	3.178	3.148	3.016
160	3.376	3.422	3.497	3.478	3.442
170	3.769	3.686	3.712	3.724	3.716
180	3.894	3.751	3.759	3.755	3.904
DEG	LUMINOUS INTENSITY:cd				

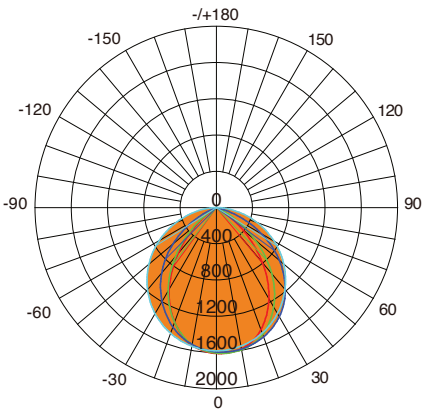
Zonal Lumens

§	Ç total
0-10	136.4
10-20	526.2
20-30	1115
30-40	1822
40-50	2553
50-60	3211
60-70	3708
70-80	3986
80-90	4058
90-100	4059
100-110	4060
110-120	4061
120-130	4063
130-140	4064
140-150	4066
150-160	4068
160-170	4069
170-180	4069
DEG	UNIT: lm

Luminance cd/(m2)

G(DEG)	C0/180	C90/270
85	10884	8777
80	13119	11617
75	14803	13683
70	16064	15274
65	16980	16310
60	17655	17084
55	18170	17649
50	18591	18090
45	18924	18435

4' / Regressed Lens / 3500K



AVERAGE BEAM ANGLE(50%): 92.7°

Lumens: 3185.1 Lms
Watts: 39.18 W
LPW: 81.30 Lm/W
CCT: 3500K

UNIT: cd
 - C0/180, 75.9°
 - C30/210, 81.3°
 - C60/240, 98.3°
 - C90/270, 115.4°

Zonal Flux Diagram

§	C0	C45	C90	C135	C180
10	1583	1593	1552	1494	1546
20	1434	1513	1475	1304	1347
30	1163	1339	1349	1044	1044
40	790.0	1073	1178	714.1	652.8
50	382.2	734.4	972.0	357.8	253.6
60	60.93	354.3	733.4	66.49	9.481
70	3.607	50.38	472.8	3.429	1.964
80	1.129	3.391	209.4	1.111	0.5673
90	0.2172	0.8545	0.4901	0.1488	0.1127
100	0.1263	0.1488	0.6813	0.2888	0.1309
110	0.1532	0.3044	1.232	0.7484	0.2482
120	0.4461	0.7326	1.867	1.429	0.6274
130	1.000	1.326	2.485	2.185	1.259
140	1.740	2.047	2.990	2.888	2.048
150	2.579	2.800	3.400	3.436	2.864
160	3.454	3.432	3.725	3.853	3.604
170	4.080	3.887	3.937	4.115	4.176
180	4.329	4.088	3.973	4.031	4.324
DEG	LUMINOUS INTENSITY:cd				

Zonal Lumens

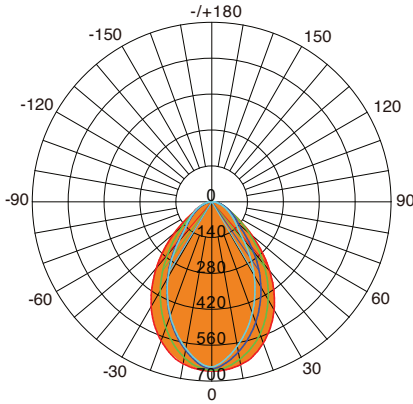
§	Ç total
0-10	150.3
10-20	574.1
20-30	1189
30-40	1871
40-50	2474
50-60	2884
60-70	3092
70-80	3165
80-90	3176
90-100	3176
100-110	3177
110-120	3178
120-130	3179
130-140	3180
140-150	3182
150-160	3184
160-170	3185
170-180	3185
DEG	UNIT: lm

Luminance cd/(m2)

G(DEG)	C0/180	C90/270
85	91	14627
80	90	16749
75	110	18232
70	146	19198
65	212	19878
60	1692	20373
55	4751	20732
50	8259	21002
45	11457	21208

Distribution Diagram

4' Louver/ 4000K



AVERAGE BEAM ANGLE(50%): 71.1°

Lumens: 2851.01Lm
Watts: 40 W
LPW: 72.74Lm/W
CCT: 4000K

UNIT: cd
— C0/180, 81.8°
— C30/270, 74.5°
— C60/240, 66.0°
— C90/270, 62.1°

Zonal Flux Diagram

§	C0	C45	C90	C135	C180
10	645.7	610.0	572.8	575.5	641.7
20	587.1	526.2	462.3	462.7	577.7
30	486.9	413.4	331.5	334.2	473.3
40	351.7	286.0	191.4	205.6	336.2
50	205.1	164.5	118.0	108.3	190.8
60	90.14	93.22	76.60	62.48	83.96
70	48.20	54.13	44.63	31.41	45.20
80	18.14	24.87	19.03	7.752	16.38
90	0.0943	2.294	0.0883	0.0823	0.0696
100	0.0964	0.1004	0.0997	0.1329	0.1092
110	0.1738	0.1566	0.1725	0.2238	0.1899
120	0.3161	0.2657	0.2690	0.3677	0.3403
130	0.5296	0.4396	0.4225	0.5662	0.5586
140	0.7842	0.6746	0.6471	0.8129	0.8181
150	1.061	0.9656	0.9161	1.073	1.087
160	1.341	1.250	1.209	1.318	1.338
170	1.532	1.462	1.427	1.492	1.541
180	1.601	1.541	1.498	1.507	1.609
DEG	LUMINOUS INTENSITY:cd				

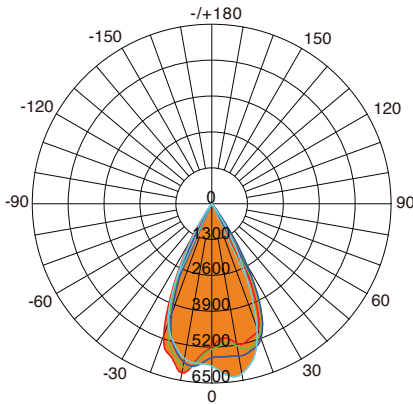
Zonal Lumens

§	Ç total
0-10	59.69
10-20	217.7
20-30	427.4
30-40	632.8
40-50	788.8
50-60	891.2
60-70	954.3
70-80	987.8
80-90	997.0
90-100	997.3
100-110	997.4
110-120	997.7
120-130	998.0
130-140	998.4
140-150	999.0
150-160	999.5
160-170	999.9
170-180	1000
	UNIT: lm

Luminance cd/(m2)

G(DEG)	C0/180	C90/270
85	3109	3709
80	4137	4340
75	4858	4760
70	5581	5167
65	6368	5591
60	7139	6066
55	9642	6635
50	12635	7267
45	15571	7976

4' Micro Reflector / 4000K



AVERAGE BEAM ANGLE(50%): 51.7°

Lumens: 3840.82Lm
Watts: 40 W
LPW: 99.09Lm/W
CCT: 4000K

UNIT: cd
— C0/180, 51.9°
— C30/270, 52.6°
— C60/240, 52.5°
— C90/270, 49.7°

Zonal Flux Diagram

§	C0	C45	C90	C135	C180
10	5120	5391	6262	6029	6239
20	4896	5241	4784	3135	5119
30	1657	2590	1455	264.5	1580
40	9.002	56.68	19.20	2.505	4.747
50	1.409	2.120	1.266	1.071	1.356
60	0.4646	0.7645	0.3787	0.3856	0.3831
70	0.3384	0.3652	0.3562	0.2976	0.2838
80	0.2346	0.3111	0.3337	0.2684	0.1577
90	0.1624	0.2953	0.2734	0.1060	0.0992
100	0.1218	0.1060	0.0812	0.1330	0.1264
110	0.1353	0.1128	0.1082	0.1330	0.1264
120	0.1443	0.1466	0.1443	0.1961	0.1578
130	0.2927	0.2661	0.4698	0.9288	0.3029
140	1.738	1.413	2.014	3.406	1.947
150	5.366	4.428	5.017	6.687	5.339
160	9.258	7.999	8.278	10.02	8.626
170	12.95	11.55	11.38	12.86	12.68
180	14.54	13.72	12.85	12.94	14.57
DEG	LUMINOUS INTENSITY:cd				

Zonal Lumens

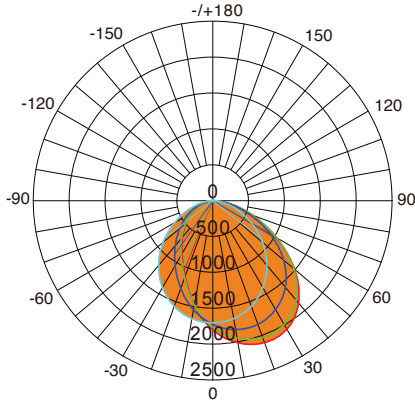
§	Ç total
0-10	540.7
10-20	2029
20-30	3479
30-40	3822
40-50	3828
50-60	3829
60-70	3829
70-80	3830
80-90	3830
90-100	3830
100-110	3830
110-120	3830
120-130	3831
130-140	3831
140-150	3834
150-160	3837
160-170	3840
170-180	3841
	UNIT: lm

Luminance cd/(m2)

G(DEG)	C0/180	C90/270
85	31	47
80	19	27
75	15	19
70	14	14
65	13	12
60	13	11
55	18	15
50	30	27
45	43	52

Distribution Diagram

4' Diffuser Wall Wash/4000K

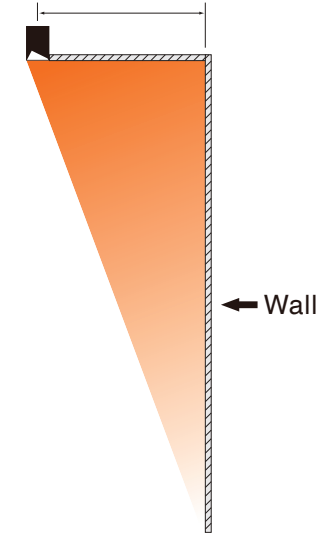


AVERAGE BEAM ANGLE(50%): 91.4°

Lumens: 4602.1 Lm
Watts: 41.95 W
LPW: 109.71 Lm/W
CCT: 4000K

UNIT: cd
 - C0/180, 81.4°
 - C30/270, 85°
 - C60/240, 95.3°
 - C90/270, 103.8°

18"-30" Recommended Distance from Wall



Zonal Flux Diagram

§	C0	C45	C90	C135	C180
10	2010	1892	1670	1472	1483
20	2106	1945	1568	1184	1126
30	2066	1891	1398	927.9	861.6
40	1860	1716	1174	715.0	661.5
50	1489	1408	904.0	528.6	494.0
60	1086	996.3	622.2	361.1	345.2
70	553.6	571.0	356.6	210.1	208.9
80	213.5	226.9	137.6	82.39	92.18
90	14.38	17.50	1.568	1.378	4.851
100	5.281	2.620	0.6399	0.9592	0.9344
110	1.389	0.8569	1.168	1.720	1.700
120	1.055	1.211	1.816	2.574	2.615
130	1.424	1.613	2.405	3.370	3.507
140	1.853	2.077	2.993	3.994	4.244
150	2.385	2.631	3.488	4.418	4.753
160	3.118	3.275	3.898	4.626	5.061
170	4.023	3.919	4.192	4.626	5.093
180	4.706	4.381	4.215	4.300	4.720
DEG	LUMINOUS INTENSITY:cd				

Zonal Lumens

§	Ç total
0-10	163.5
10-20	625.8
20-30	1318
30-40	2145
40-50	2988
50-60	3717
60-70	4233
70-80	4509
80-90	4586
90-100	4590
100-110	4591
110-120	4593
120-130	4595
130-140	4597
140-150	4599
150-160	4061
160-170	4062
170-180	4062
	UNIT: lm

Luminance cd/(m2)

G(DEG)	C0/180	C90/270
85	14792	9050
80	17074	11003
75	19709	12753
70	22480	14479
65	25273	15947
60	28006	17283
55	30421	18643
50	32173	19532
45	33247	20509